



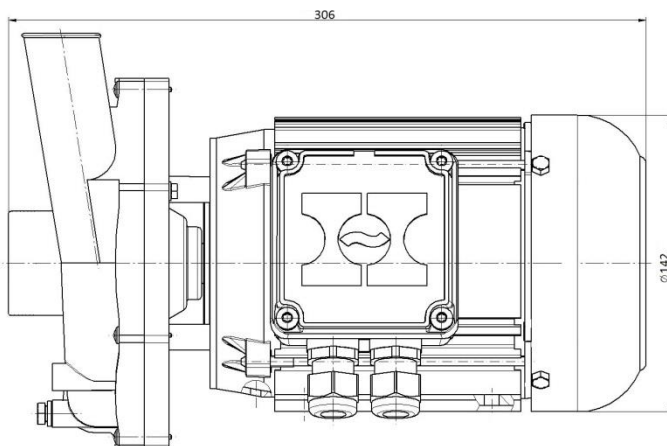
HANNING

moving ■■■ ideas

haflowtic PS 40 data sheet



Technical data



Description	Specification
Voltage	200 V/200–240 V/220–240 V/380–415 V/380–440 V
Frequency	50 (60 Hz on request)
Thermal protector	1~ internal/ 3~ on request
Degree of protection	IP00 (IP54 on request)
Ambient temperature up to 60° C	Higher on request
Insulation class	F
Phase	1~ / 3~
Life time	Depends on application and medium to be pumped
Medium ph-level	To be tested in the application
Pump housing	Plastic PA glas fibre reinforced
Impeller	Plastic PA glas fibre reinforced
Sealing rubbers Mechanical seal	On request
Connection (customizable)	6,3 x 0,8 mm, connector
Capacitor (customizable)	
Approvals	On request (VDE, UL, CSA)
Draining nozzle	Optional
Inner diameter in/outlet	41/42 mm

