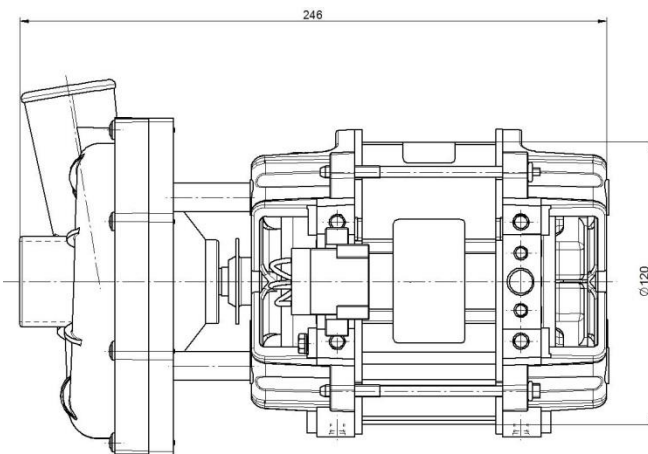


# haflowtic PS 26 data sheet

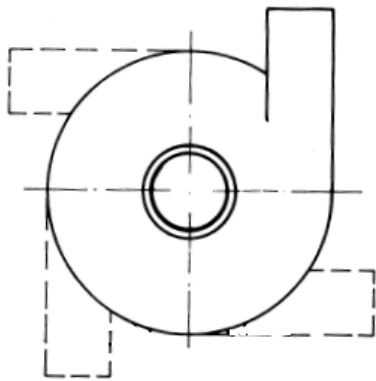


## Technical data

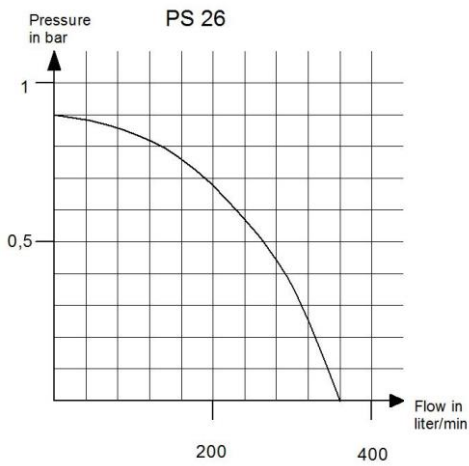


Description	Specification
Voltage	120 V/200 V/230 V/190–230 V/200–240 V/220–240 V/220–415 V
Frequency	50 (60 Hz on request)
Thermal protector	1~ internal/ 3~ on request
Degree of protection	IP00 (IP54 on request)
Ambient temperature up to 60° C	Higher on request
Insulation class	F
Phase	1 ~ / 3 ~
Life time	Depends on application and medium to be pumped
Medium ph-level	7 (3–11 with PP)/ to be tested in the application
Pump housing	Plastic PP/PA glas fibre reinforced
Impeller	Plastic PP/PA glas fibre reinforced
Sealing rubbers Mechanical seal	On request
Connection (customizable)	6,3 x 0,8 mm, connector, wire, terminal box
Capacitor (customizable)	
Approvals	On request (VDE, UL, CSA)
Draining nozzle	
Inner diameter in/outlet	34/34 mm

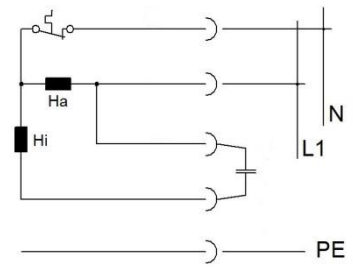
Direction of rotation



Curve



Connection scheme (example)



Notes

